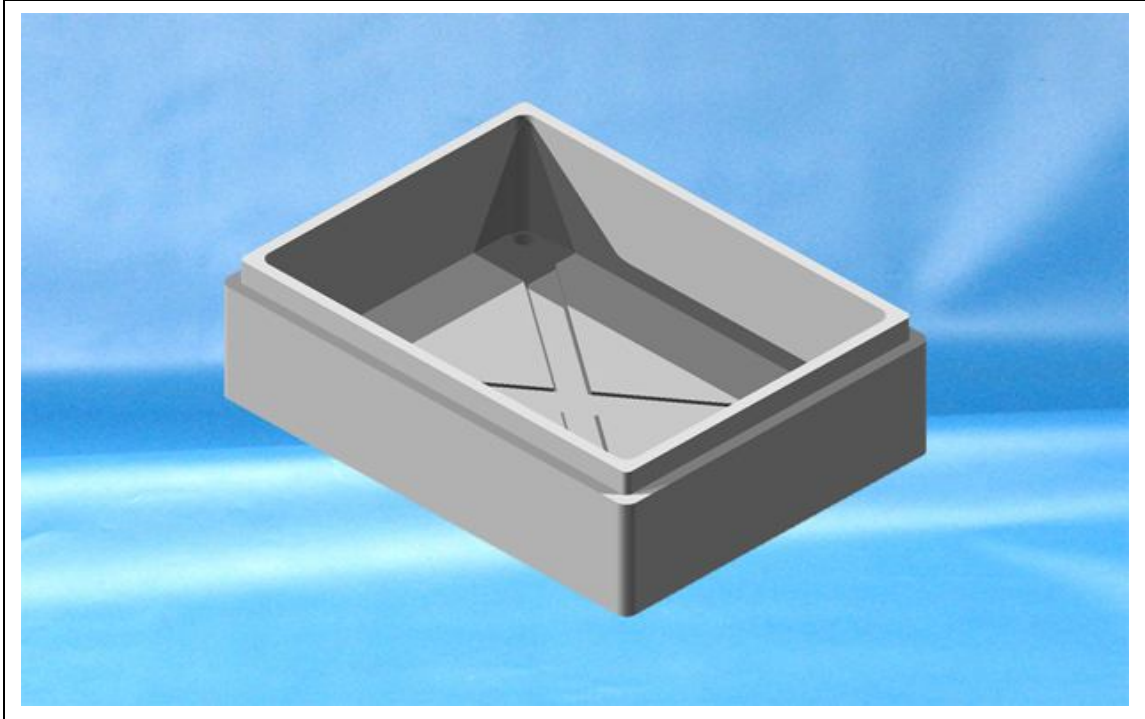


BOX D125



ITEM DESCRIPTION

Eps box for food fish

MATERIAL

Sintered expanded polystyrene EPS white

EXTERNAL DIMENSIONS:

400 x 300 mm

AVAILABLE HEIGHTS:

120 mm (capacity 9,4 liters)

235 mm (capacity 20,1 liters)

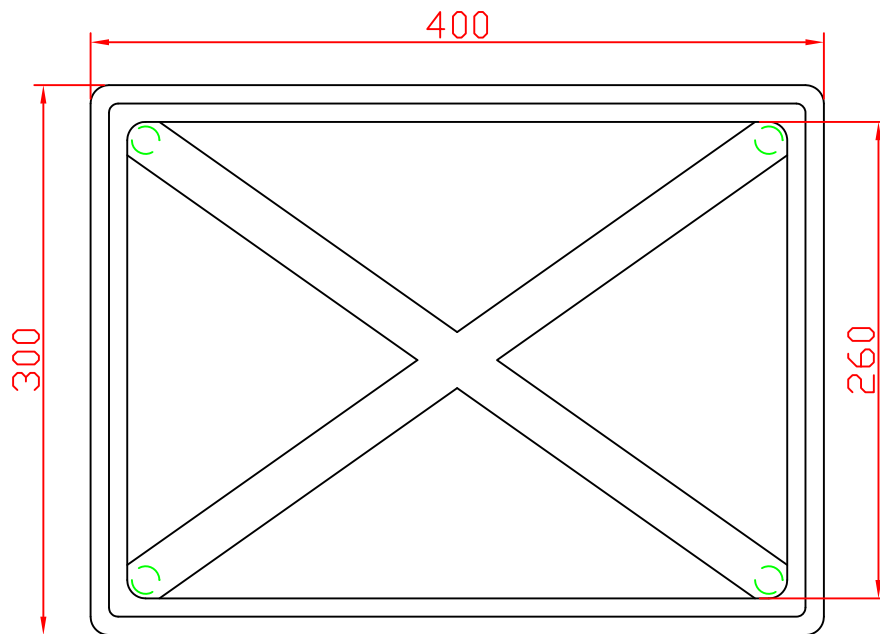
VARIATIONS

With holes / without holes

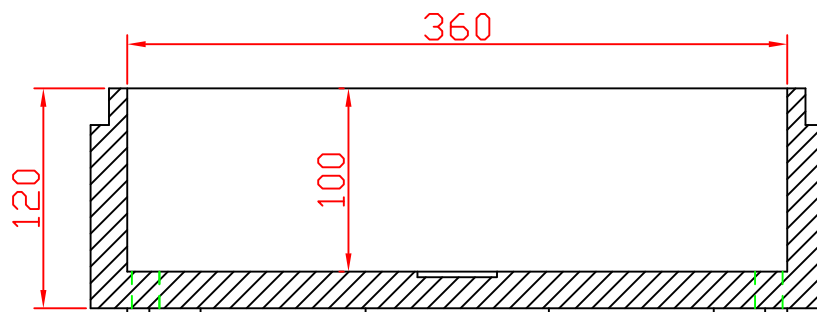
ACCESSORIES:

Lid D125

RAW MATERIALS USED ARE SUITABLE TO COME IN CONTACT WITH FOOD



H120



H235

