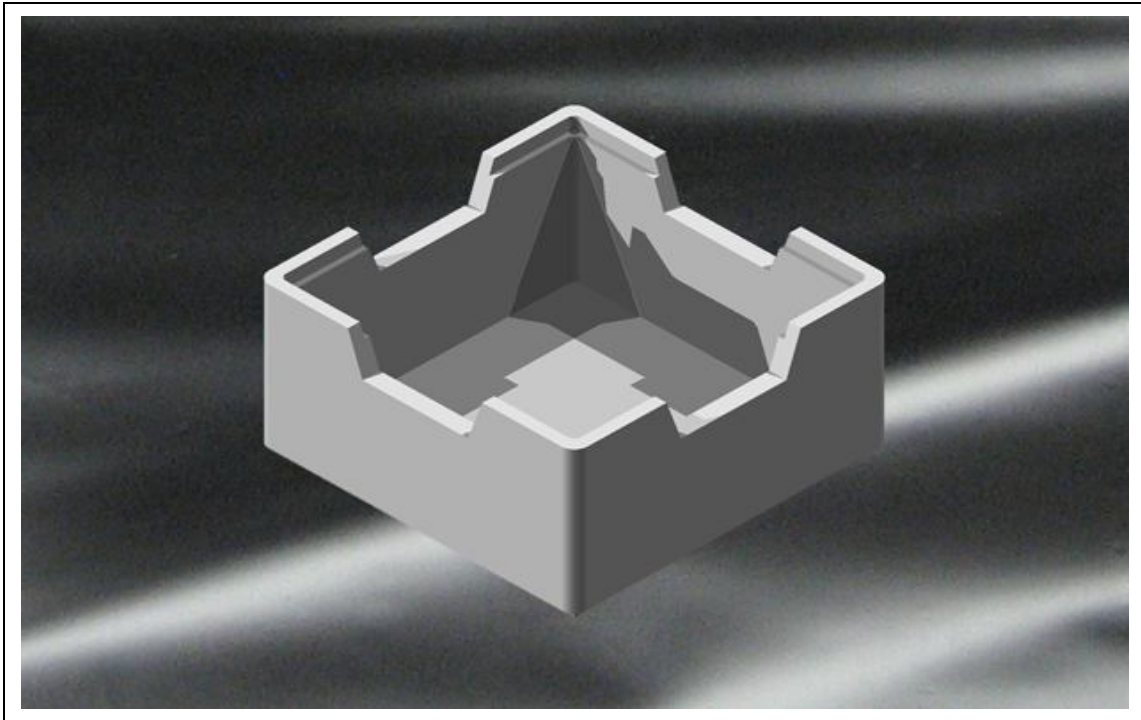


BOX C120



ITEM DESCRIPTION

Eps box for dairy products

MATERIAL

Sintered expanded polystyrene EPS white

EXTERNAL DIMENSIONS:

242 x 242 H123 mm

CAPACITY:

5,13 liters

RAW MATERIALS USED ARE SUITABLE TO COME IN CONTACT WITH FOOD

