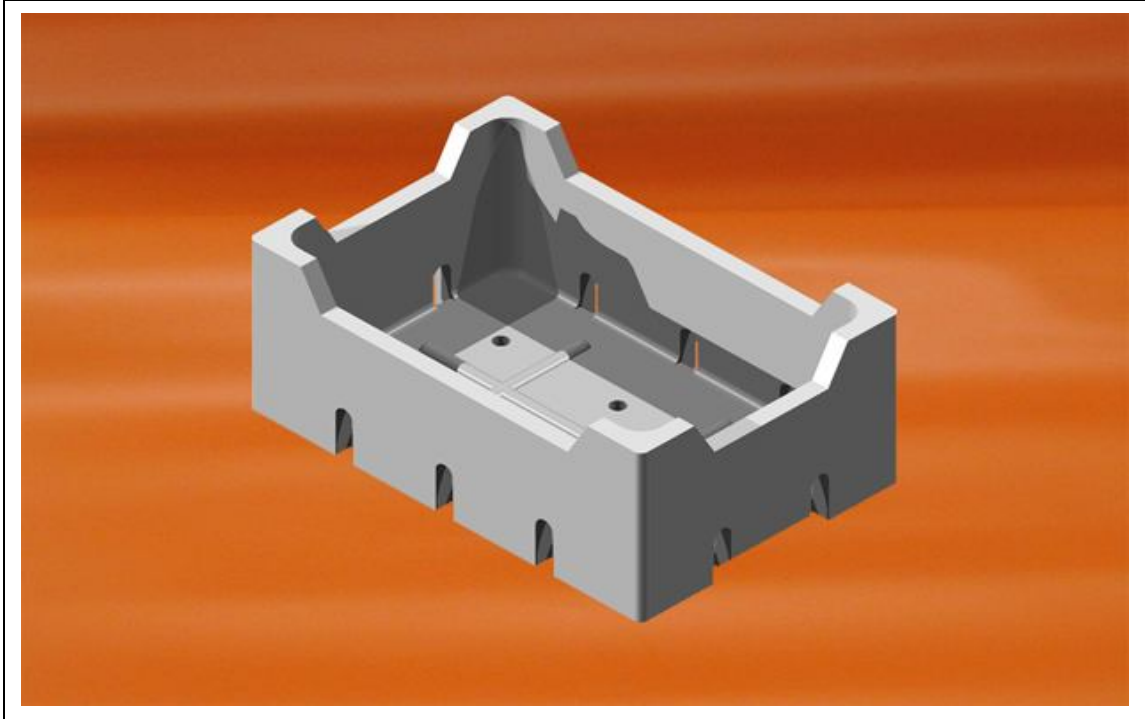


BOX B110



ITEM DESCRIPTION

Eps box for fruit and vegetables products

MATERIAL

Sintered expanded polystyrene EPS white

EXTERNAL DIMENSIONS:

295 x 195 H115 mm

RAW MATERIALS USED ARE SUITABLE TO COME IN CONTACT WITH FOOD

