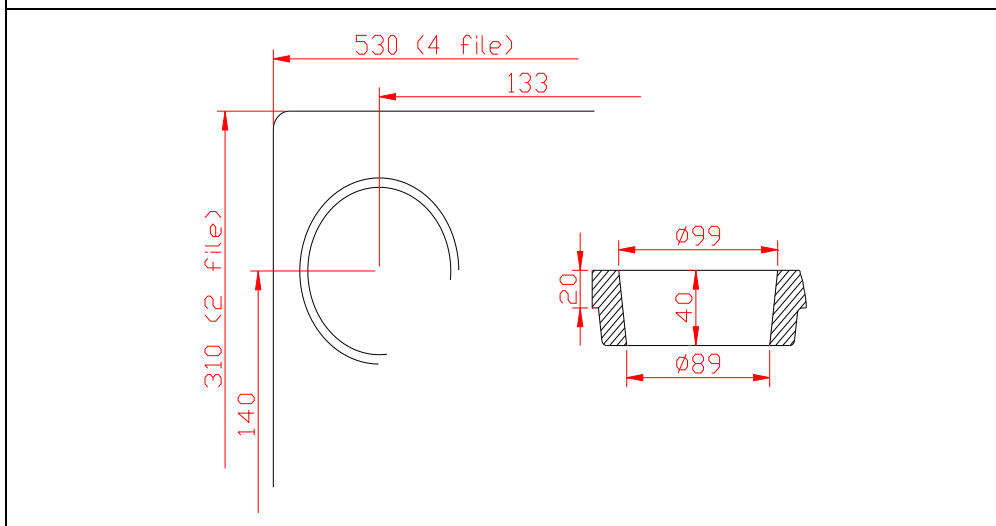


## VASE HOLDER A8



### **MATERIAL**

Sintered expanded polystyrene EPS white

### **EXTERNAL DIMENSIONS:**

520 x 310 H40 mm

### **DISTANCE BETWEEN HOLES:**

X=133mm Y=140mm

### **VOLUME HOLE:**

277 cm<sup>3</sup>