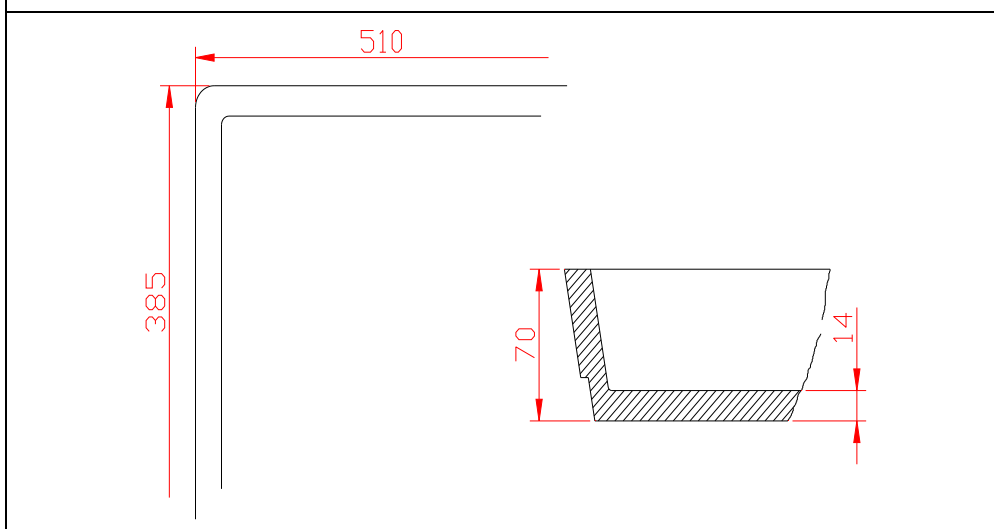


VASE HOLDER A1 TYPE A



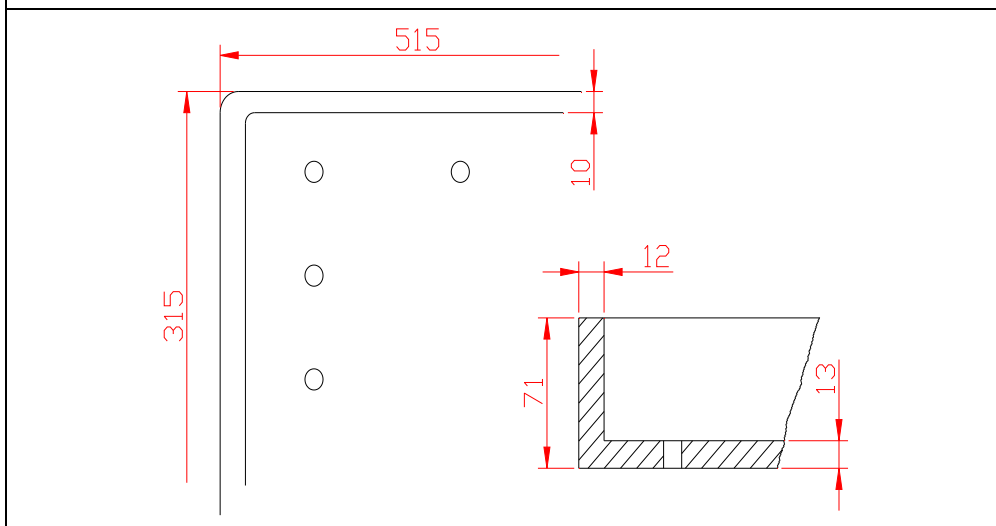
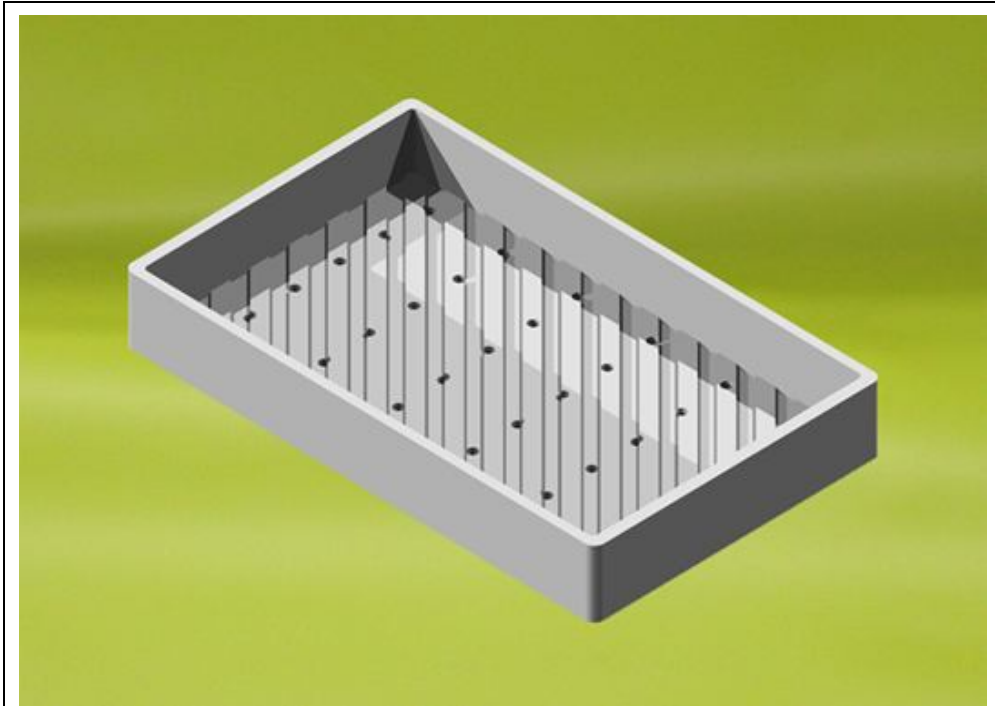
MATERIAL

Sintered expanded polystyrene EPS white

EXTERNAL DIMENSIONS:

510 x 385 H70 mm

VASE HOLDER A1 TYPE B



MATERIAL

Sintered expanded polystyrene EPS white

EXTERNAL DIMENSIONS:

515 x 315 H71mm